

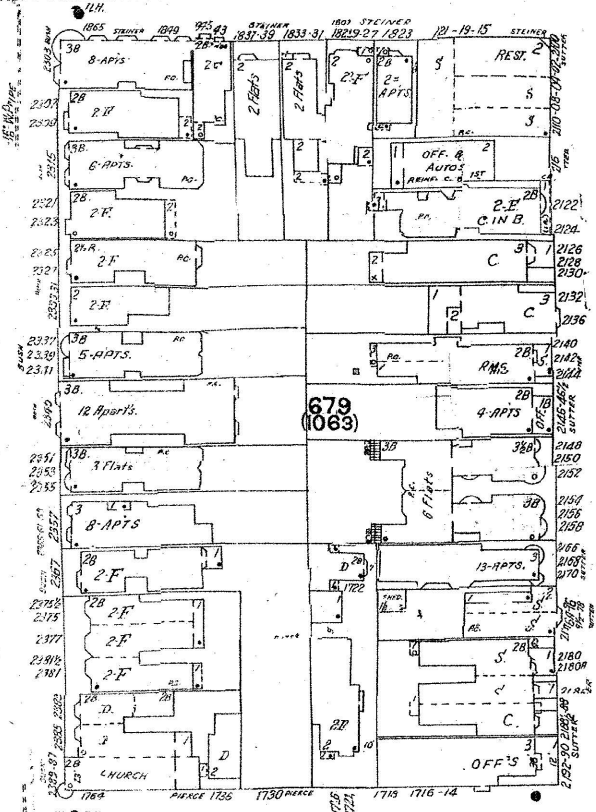
277

265

THESE SANBORN MAPS ARE DATED TO THE MID 1990'S
USE ONLY FOR HISTORICAL CONTEXT

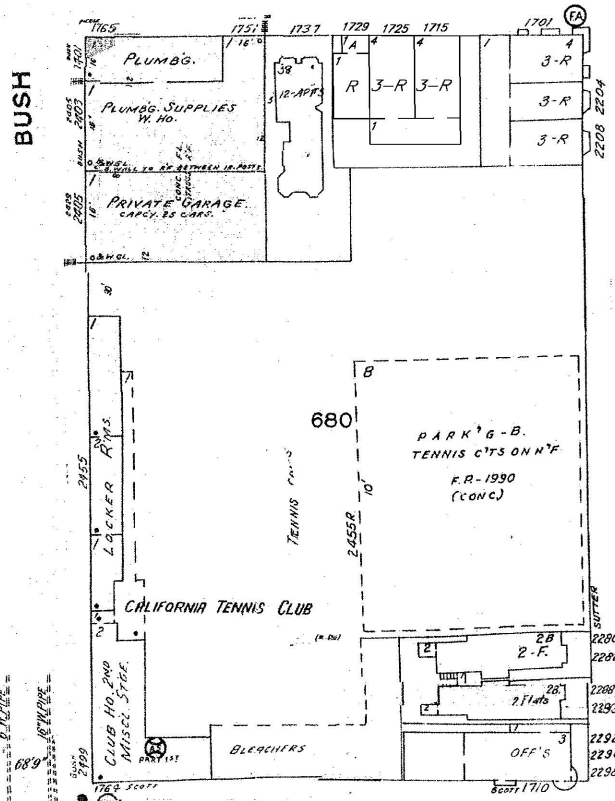
266

STEINER



679
(1063)

PIERCE

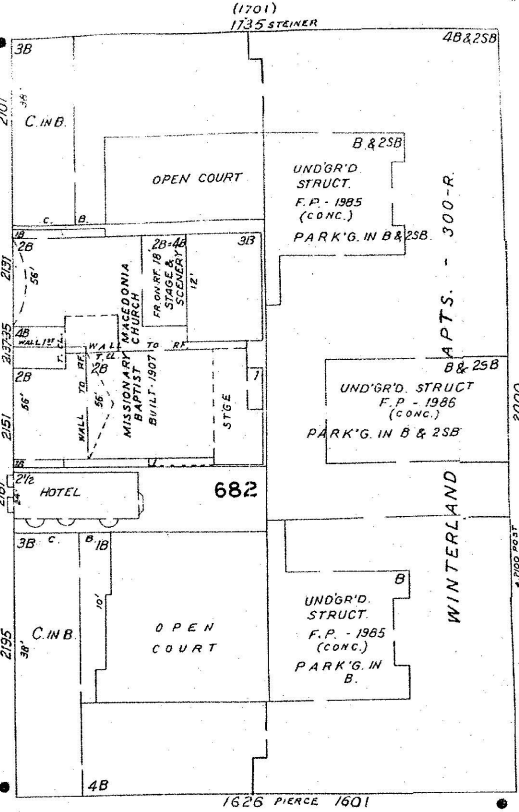


680

SCOTT

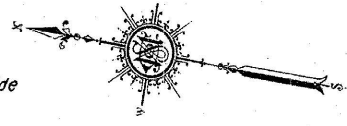
289

276

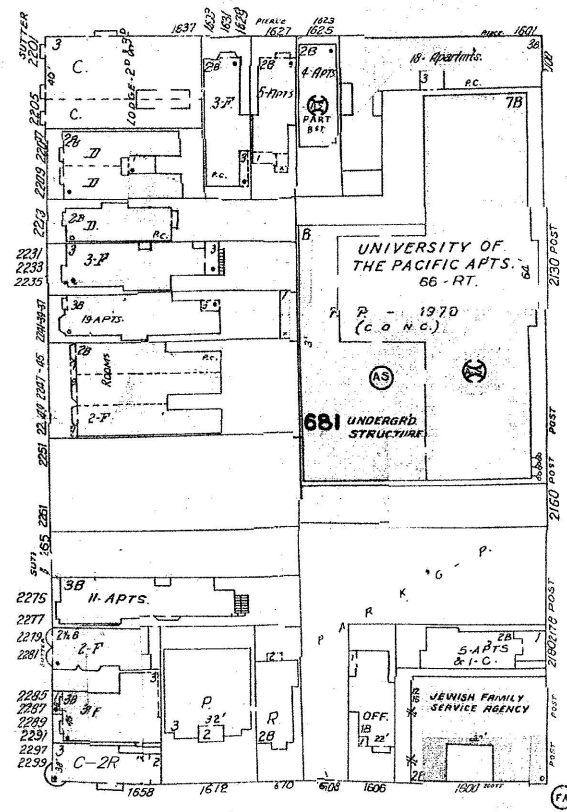


682

68'9" wide



SUTTER



681

Scale of Feet.

290

POST

S . Q . U . A . R . E . C . I . T . Y . R . E . C . B . L . D . G .

POOL

GYM